

CJX3 Series AC Contactor

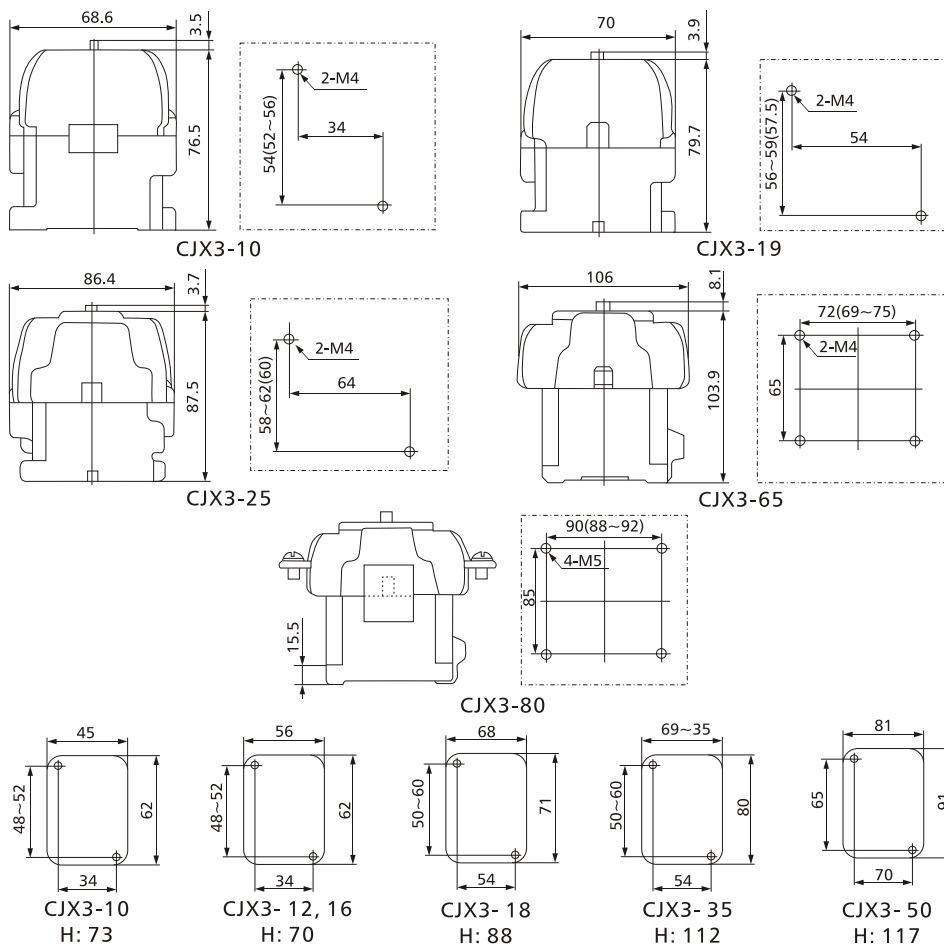
Application

CJX3 series AC contactor is used to 50Hz or 60Hz, rated working voltage 660V, rated working current 80A electric power system, to switch on and off circuit and AC motors in frequent control, protecting overload circuit. It conforms to IEC60947-1 standard.

Specification

Type	Rated insulating voltage (V)	Rated heating current (A)	AC-3 controlled power (kW)			Operating rotation time/hour (AC-3)	Electrical life AC-3 (10 ⁴)	Mechanical life (10 ⁴)	Coil power starting/working VA/VA
			220V	380V	660V				
CJX3-10	690	20	3.5	5.5	5.5	600	100	500	60/2.2
CJX3-11		20	3.5	5.5	5.5				
CJX3-12		26	3.7	5.5	5.5				
CJX3-16		26	3.7	5.5	5.5				85/3
CJX3-18		30	5.5	7.5	7.5				
CJX3-19		30	5.5	11	11				
CJX3-25		45	7.5	15	15				175/5
CJX3-35		50	7.5	15	15				
CJX3-50		65	11	22	22				
CJX3-65		80	15	30	30				270/8
CJX3-80	110	19	37	37					

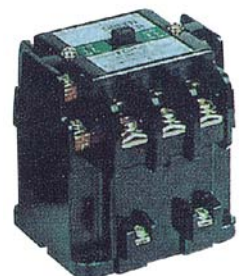
Outline and mounting dimension



CJX3-10



CJX3-25



CJX3-35/50



CJX3-65/80